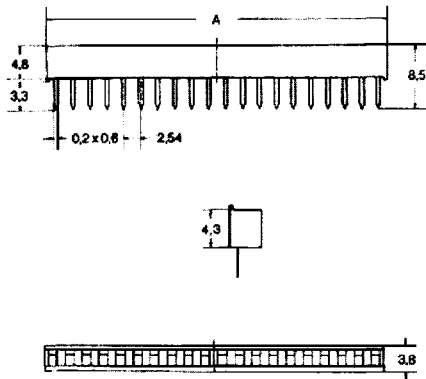
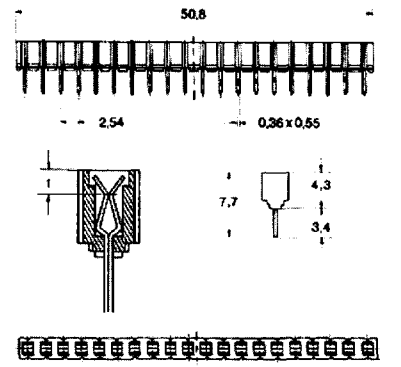


Socket terminal strips for flat, round or square pins, pitch 2.54 mm

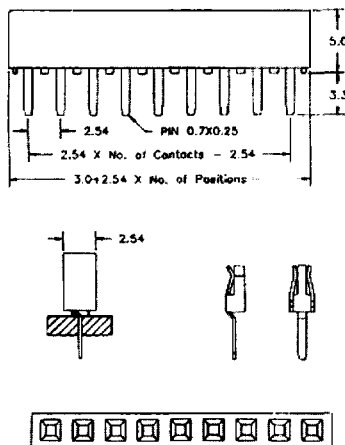


single row Part no.	No. of contacts	Plating	Dimension (mm / inch) A
AW 03-LC	3	Tin	7,60 / 0.299
AW 04-LC	4	Tin	10,00 / 0.393
AW 08-LC	8	Tin	20,25 / 0.797
AW 10-LC	10	Tin	25,40 / 1.000
AW 12-LC	12	Tin	30,45 / 1.198
AW 20-LC	20	Tin	50,75 / 1.998



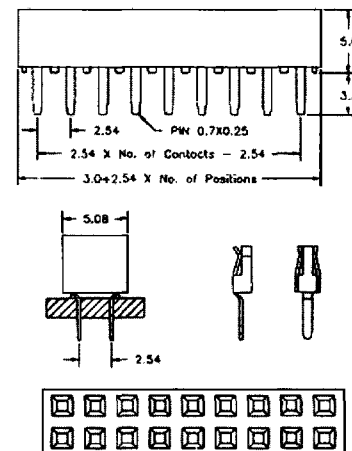
single row Part no.	No. of contacts	Plating
AW 20 Z	20	Tin
AW 20 G	20	Gold

with U-Contact



single row Part no.	No. of contacts	Plating
AW 05G/LP	5	Gold
AW 05Z/LP	5	Tin
AW 10G/LP	10	Gold
AW 10Z/LP	10	Tin
AW 20G/LP	20	Gold
AW 20Z/LP	20	Tin
AW 40G/LP	40	Gold
AW 40Z/LP	40	Tin

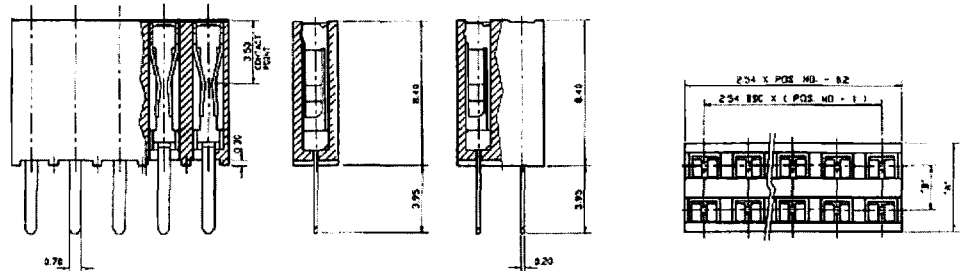
with U-Contact



dual row Part no.	No. of contacts	Plating
AWZ 10G/LP	10	Gold
AWZ 10Z/LP	10	Tin
AWZ 20G/LP	20	Gold
AWZ 20Z/LP	20	Tin
AWZ 40G/LP	40	Gold
AWZ 40Z/LP	40	Tin
AWZ 80G/LP	80	Gold
AWZ 80Z/LP	80	Tin

Socket terminal strips for flat, round or square pins, pitch 2.54 mm

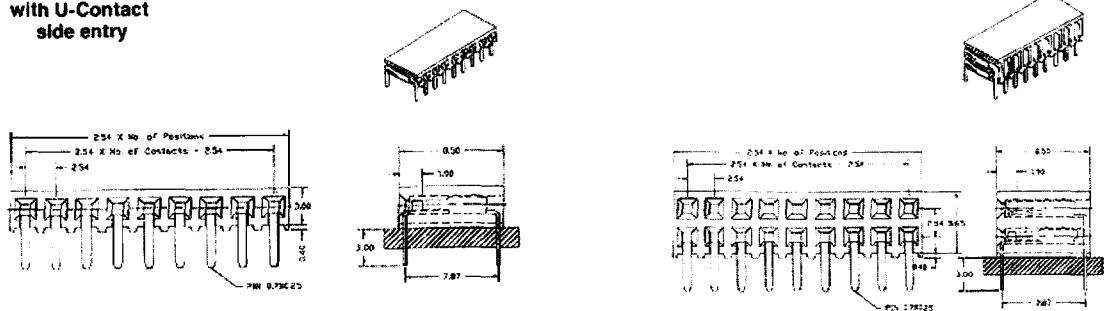
Straight with U-Contact



single row Part no.	No. of contacts	Plating
A-FHS 05G	5	Gold
A-FHS 05Z	5	Tin
A-FHS 10G	10	Gold
A-FHS 10Z	10	Tin
A-FHS 20G	20	Gold
A-FHS 20Z	20	Tin
A-FHS 40G	40	Gold
A-FHS 40Z	40	Tin

dual row Part no.	No. of contacts	Plating
A-FHD 10G	10	Gold
A-FHD 10Z	10	Tin
A-FHD 20G	20	Gold
A-FHD 20Z	20	Tin
A-FHD 40G	40	Gold
A-FHD 40Z	40	Tin
A-FHD 80G	80	Gold
A-FHD 80Z	80	Tin

90° angled with U-Contact side entry



single row Part no.	No. of contacts	Plating
A-FHSA 05G	5	Gold
A-FHSA 05Z	5	Tin
A-FHSA 10G	10	Gold
A-FHSA 10Z	10	Tin
A-FHSA 20G	20	Gold
A-FHSA 20Z	20	Tin
A-FHSA 40G	40	Gold
A-FHSA 40Z	40	Tin

dual row Part no.	No. of contacts	Plating
A-FHDA 10G	10	Gold
A-FHDA 10Z	10	Tin
A-FHDA 20G	20	Gold
A-FHDA 20Z	20	Tin
A-FHDA 40G	40	Gold
A-FHDA 40Z	40	Tin
A-FHDA 80G	80	Gold
A-FHDA 80Z	80	Tin

Contacts

Phosphor bronze (Cu Sn 8)
Protection against capillary version

Mechanical and electrical data

Transitional resistance $\leq 10 \text{ m } \Omega$
Capacity between adjacent contacts $< 0.9 \text{ pF}$
max. current-carrying capacity 4 A
test voltage 1500 V_{eff}

Insulators

Polyester GV, VO, UL 94
Insulation resistance $10^{10} \Omega$
Operating temperature range -65°C to $+150^\circ\text{C}$